



SALVE REGINA UNIVERSITY

REQUEST FOR BID
Procurement and Installation of Lighting
in the Young Ballroom

Proposal Due Date: October 25th, 2024

Proposal Due Time: 1:00PM EST

Request for Bid Schedule and Contact Information

100 Ochre Point Avenue Newport, RI 02840

www.Salve.edu

Bid Release Date: 10/01/2024

Deadline for Bid Submission: 10/25/2024

Point of Contact: Salve Regina Purchasing Office

Email Address: purchasingoffice@salve.edu

Phone Number: 401-341-2343

Scope of Work

In 2022, Salve Regina was awarded funding through the Consolidated Appropriations Act, 2022 from the US Department of Education, under Award Number P116Z220090. The award's purpose is directed towards technological enhancement to the University's Pell Center for International Relations and Public Policy, which is a multidisciplinary research center. The funding, totaling \$850,000, represents 100% of the total costs of the entire project. At this time, it is anticipated no non-government sources will be used to complete the award's scope of work. The award will enable the University to invest in the technology needed to improve communication and programming to a minimum technological threshold in all the campus venues used frequently by the Pell Center.

This RFB represents a portion of the project and not the entirety of the award. The selected vendor is expected to procure and install the specified lighting and lighting controls identified in Appendix 1.

Contents

Request for Bid Schedule and Contact Information..... 1

Scope of Work 1

Project Overview 3

About Salve Regina University 3

Technical Specifications..... 3

Equipment Procurement: 3

Installation Services: 3

Warranty and Support: 4

Submission Requirements..... 4

Evaluation Criteria 4

Timeline 5

How to Submit a Proposal..... 5

Clarifications and Questions 5

Confidentiality 5

Bid Review/Right to Reject 5

Contractual Agreement 5

Conclusion 6

Appendix 1: Lighting Design Requirements..... 7

Appendix 2: System layout Electrical – Ballroom 8

Appendix 3: System layout Lutron – Ballroom 9

Appendix 4: Fixture Schedule – Ballroom 10

Appendix 5: Fixture Type A and B Juno Track Head..... 11

Appendix 6: Fixture Type C Juno Track 17

Appendix 7: Fixture Type D Centric Owner Supplied..... 21

Appendix 8: Fixture Type D CONCEPT Centric-Mounting-Styles 22

Appendix 9: Fixture Type E VIA2-SURFACE-SPEC..... 23

Project Overview

Project Name: **Pell Technology Grant**

Project Location: Young Building-518 Bellevue Avenue Newport RI,

Project Duration: December 2024-February 2025

Project Objective: Lighting Installation in Young Building Ballroom

About Salve Regina University

Salve Regina University, herein after referred to as the "University," invites qualified and experienced vendors to submit their proposals for the procurement and installation of lighting within the historic Young building on campus. This Request for Bid ("RFB") outlines the requirements and specifications for the lighting and the associated electrical and installation services.

From our cornerstone mercy mission to the classic ideals of our liberal arts approach, tradition matters at Salve Regina. It's woven throughout our 80-acre campus, embedded in our historic buildings, and infused in the culture of Newport, Rhode Island.

Tradition at Salve Regina means we remember where we began. Since our founding by the Sisters of Mercy in 1934, we have grown to a community of more than 2,800 undergraduate and graduate students who proudly carry forward our mission in their personal and professional lives. Fully accredited by the New England Commission of Higher Education, we are committed to fueling the imagination and encouraging the academic ambitions of our bright and curious students.

Technical Specifications

Equipment Procurement:

- Procure all necessary equipment to comply with design specifications (Appendix 1)

Installation Services:

- Install all necessary equipment
- Installation of lighting.
- Configuration of lighting systems for seamless operation.
- Testing and validation of all installed equipment.
- Documentation of installation procedures and configurations.
- Training of Salve Regina staff on the newly installed equipment.

Warranty and Support:

- Provide comprehensive documentation, including system manuals and warranty information for equipment and services.
- Specify the support and maintenance services offered during the warranty period and length of warranty period.
- Specify long-term support plans after the warranty period.

Submission Requirements

- Vendors are required to submit the following information/documents in a detailed proposal:
 - A breakdown of all costs including equipment, labor, and any other associated expenses.
 - Item/net unit price and an extended total for the item, listed in US dollars.
 - Proposed project timeline: Installation must occur between December 6th, 2024, and February 4th, 2025.
- Company Profile:
 - Company background and history.
 - Relevant experience in providing similar lighting installation services.
 - References from at least one previous client.
- Proof of Insurance:
 - Provide certificate of insurance coverage.
- Compliance:
 - Confirm your company's compliance with all applicable laws, licensing, and regulations.

Evaluation Criteria

The University will evaluate proposals based on the following criteria:

- Compliance with specifications and requirements.
- Cost competitiveness.
- Vendor's experience and references.
- Proposed timeline.
- Warranty and support offerings.
- Vendor able to accommodate inventory list required for support of this initiative.

Timeline

- Bid Release Date: 10/1/2024
- Deadline for Bid Submission: 1pm on 10/25/2024
- Vendor Selection: 11/1/2024
- Contract Award: 11/6/2024
- Project Commencement: no sooner than 12/7/2024
- Project Completion Date: no later than 2/4/2025

A walkthrough of the project space will be offered to interested bidders on 10/8/24 at 9am. Please RSVP by 10/4/24 via email to purchasingoffice@salve.edu.

How to Submit a Proposal

Interested vendors should submit their proposals electronically in PDF format to purchasingoffice@salve.edu no later than 1pm, October 25th 2024. Please include "Pell Technology Grant Lighting Installation RFB – Salve Regina University" in the subject line. Late responses may not be accepted.

Clarifications and Questions

All inquiries and requests for clarifications must be submitted in writing via email to purchasingoffice@salve.edu by 10/11/2024. The University will respond to all questions by 10/18/2024.

Confidentiality

All information submitted in response to this RFB will be treated as confidential and used solely for the purpose of evaluating vendor bids.

Bid Review/Right to Reject

Bids will be reviewed to verify they meet all specified criteria in this RFB. This may include contacting references furnished in the vendor's bid, requesting reports on the vendor's financial stability, conducting demonstrations of the vendor's proposed product(s) and service(s) and reviewing results of past awards to the vendor by the University. The University reserves the right to reject any or all bid received and to waive any irregularities or informalities in the bids.

Contractual Agreement

The selected vendor will be required to enter a formal cost reimbursable contract with Salve Regina University that outlines the terms and conditions of the engagement.

Conclusion

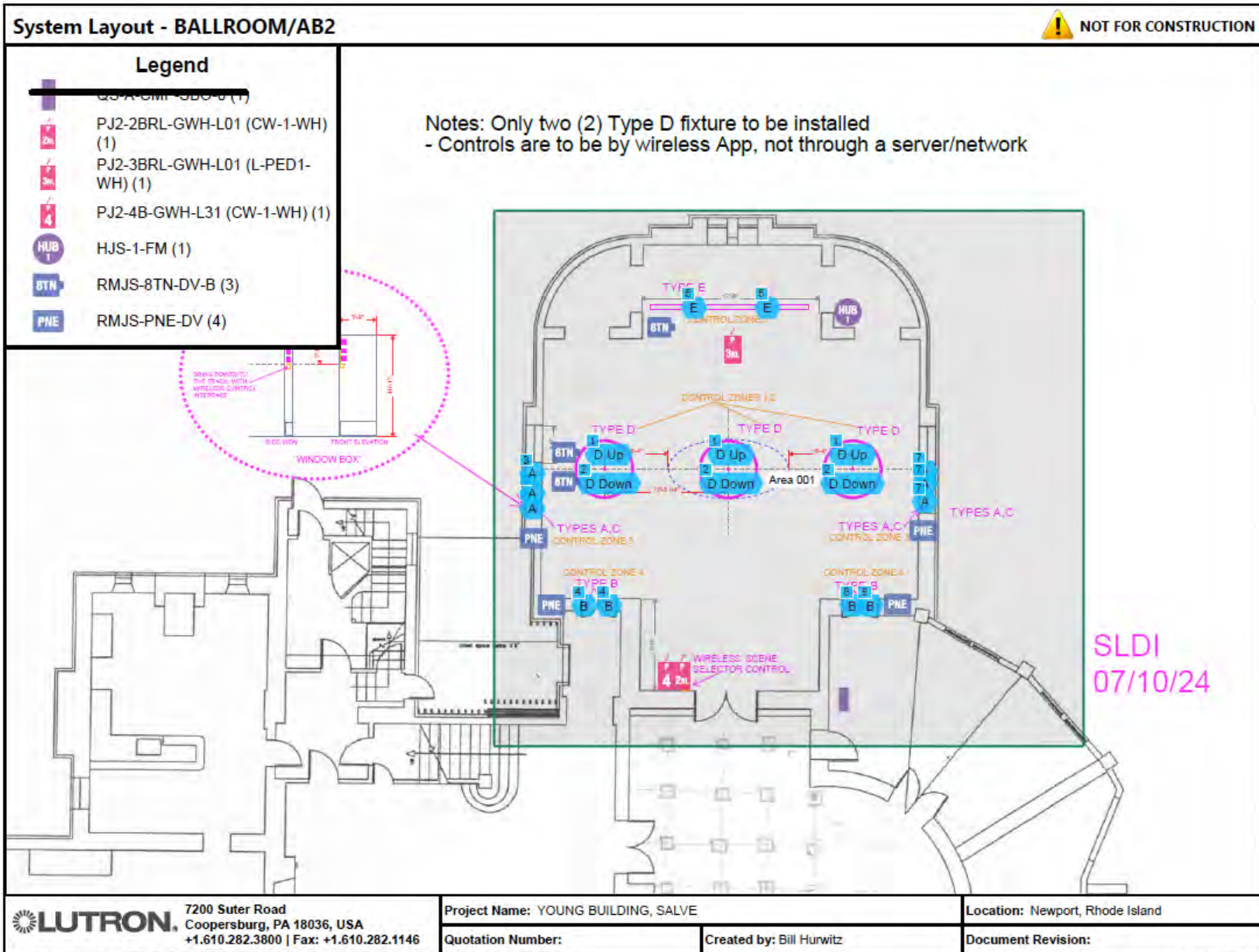
The University looks forward to receiving competitive bids from qualified vendors. By submitting a bid, vendors acknowledge their understanding and acceptance of the terms and conditions outlined in this RFB. The awarded contract terms and conditions will be separately documented.

Appendix 1: Lighting Design Requirements

Contractor shall coordinate with Salve Electrical shop for location of electrical feeds and panels to connect to.

Lighting controls will be through Lutron mobile application – no network/server shall be required.

Appendix 3: System layout Lutron – Ballroom



JUNO

TYPES: A, B

TRAC-MASTER

Avant Garde

Project: _____

Fixture Type: _____

Location: _____

Contact/Phone: _____

24W VERTICAL CYLINDER LED**T383L G2****PRODUCT DESCRIPTION**

The classic, simple appearance of the Vertical Cylinder LED fixtures offers a fresh take on a traditional aesthetic. The subtle elegance is carried through the entire design producing an understated charm. The 24W Vertical Cylinder LED fixtures have integral TIR optics which enable uniform spot, narrow flood, flood or wide flood distributions to be achieved. These fixtures have an integral, bayonet-mounted accessory holder that accommodates up to two accessories if desired. The 24W Vertical Cylinder LED can deliver up to 2446 lumens, at efficacies up to 102LPW and having a rated life of 50,000 hours. Available in 2700K, 3000K, 3500K and 4000K color temperatures, the white-light 24W Vertical Cylinder LED is compatible with all Juno line voltage track and standard adapter accessories.

**PRODUCT SPECIFICATIONS** nSP5 PCD ELV 120

Construction All-metal housing and custom designed concealed heat sink provides outstanding thermal management, yielding 70% average lumen maintenance at 50,000 hours of operation • Passively-cooled design – no moving parts to break or wear-out • Extruded aluminum vertically mounted LED driver housing • Concealed fixture wiring for a clean aesthetic • Fashionable, elegant design complements any decor • Available in white, black and silver painted finishes.

LED High performance LED array provides outstanding reliability, performance and color quality/consistency • 2700K, 3000K, 3500K or 4000K white phosphor high performance LEDs • Chromaticity range within a 3-step MacAdam Ellipse • 80 CRI minimum on standard product • Optional high CRI versions offer 90 CRI minimum • Optional SpectralWhite versions are also available which make whites appear naturally brilliant and render colors more richly.

Driver Assembled in a side-mount vertical housing to minimize overall fixture footprint • Insulating air gap between driver and LED light engine optimizes thermal operation • Provides quiet operation with or without dimming • 120V fixtures are dimmable using high quality, factory approved reverse phase ELV dimmers - see [T383LG2-DIM](#) • Solid state electronic, Class 2 compliant • Integral overcurrent and short circuit protection • Class B FCC Part 15 rated.

Optics Interchangeable computer-designed custom TIR optics available in four factory-configured beam spreads • One TIR optic provided with fixture (as specified in catalog number) • Accessory optics available to enable beam changes in the field • Beam patterns can be altered as desired using a variety of available light control accessories.

Juno Universal Track Adapter Universally compatible with both Trac-Master 1-circuit or 2-circuit track, Trac-Lites track, monopoints and special mountings • Also UL Recognized for use on ConTech® LT Series track • Copper alloy contacts provide precise spring action – no arcing and will not take a set • True, positive electrical ground • On/off switch included • Patented embossed polarity arrows on bottom of adapter • Spring-loaded positive latch with embossed polarity arrows secures track light to track • Two-position power contact provided for two-circuit application.

Alternate TEK/HTEK Track Adapter Compatible with either Juno TEK or HTEK track systems • System specific and assembled to track fixture • Integrally polarized construction to prevent reverse installation – only allows insertion in proper orientation • Rotary circuit selector enables simple switching between circuits • Integral on/off switch enables individual fixtures to be switched for servicing.

Alternate GTYPE Track Adapter Compatible with track systems based on GES type track, including Lithonia LT Commercial Track (not LIS type) • System specific and assembled to track fixture • Consult factory for additional information.

Alternate HTYPE Track Adapter Compatible with track systems which use a H-type track adapter, including Lithonia LTS Decorative Track (not LT type) • System specific and assembled to track fixture • Two-position power contact provided for two-circuit application • Consult factory for additional information.

Alternate LTYPE Track Adapter Compatible with track systems which use a L-type track adapter • System specific and assembled to track fixture • Two-position power contact provided for two-circuit application • Consult factory for additional information.

Accessory Holder Integral to fixture design • Die cast aluminum construction • Precision bayonet mounting • Accommodates one accessory if desired.

Aiming 360° horizontal coverage • Greater than 90° vertical aiming capability.

Labels UL and C-UL Listed • ENERGY STAR® certified • 80 CRI versions are DesignLights Consortium® Qualified; HTEK option excluded. • 90CRI and SPW versions can be used to comply with California Title 24, Part 6 high efficacy LED light source requirements • Union made • Assembled in U.S.A.

Government Procurement

BAA – Buy America(n) Act: Product qualifies as a domestic end product under the Buy American Act as implemented in the FAR and DFARS. Product also qualifies as manufactured in the United States under DOT Buy America regulations.

BABA – Build America Buy America: Product qualifies as produced in the United States under the definitions of the Build America, Buy America Act.

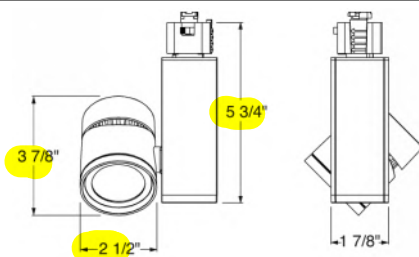
Please refer to www.acuitybrands.com/buy-american for additional information.

Warranty 5-year limited warranty. This is the only warranty provided and no other statements in this specification sheet create any warranty of any kind. All other express and implied warranties are disclaimed. Complete warranty terms located at: www.acuitybrands.com/support/warranty/terms-and-conditions

Note: Actual performance may differ as a result of end-user environment and application.

All values are design or typical values, measured under laboratory conditions at 25 °C.

Specifications subject to change without notice.

DIMENSIONS

ConTech is a registered trademark of ConTech Lighting.



TRAC-MASTER® TYPE A

Avant Garde

24W VERTICAL CYLINDER LED

T383L G2

ORDERING INFORMATION

Ordering Example: T383L G2 27K 80CRI PDIM SP BL

Series	Mounting Adapter Type	Generation	Color Temperature	Color Rendering Index
T383L 24W Vertical Cylinder LED	(Blank) Juno Universal 120V Track Adapter	G2 Generation 2	27K 2700K	80CRI 80 CRI
	HTEK ¹ HTEK 277V Track Adapter		30K 3000K	90CRI 90 CRI
	TEK TEK 120V Track Adapter		35K 3500K	SPW ² SpectralWhite
	GTYPE G-Type Track Adapter		40K 4000K	
	HTYPE H-Type Track Adapter			
	LTYPE L-Type Track Adapter			
See page 5 for Direct Canopy Mount Option (CPY) specifications.				

Dimming Compatibility	Distribution	Finish
OFF ¹ On/Off (Non-Dimming)	SP Spot	BL Black
PDIM Phase Dimmable	NFL Narrow Flood	SL Silver
	FL Flood	WH White
	WFL Wide Flood	

#T383L-TEK-G2-30K-80CRI-PDIM-SP-WH
/HCLBL/LSPREAD 200

Accessories					
HCLBL 200	Hexcell Louver - Black	DIFF 200	Diffusion Lens	TIR1 SPT	TIR Optic - Spot
SNOOTBL 200	Snoot - Black	SOLITE 200	Uniformity Lens	TIR1 NFLD	TIR Optic - Narrow Flood
CGF 200	Color Glass Filters	PRISM 200	Prismatic Spread Lens	TIR1 FLD	TIR Optic - Flood
DGF 200	Dichroic Glass Filters	LSPREAD 200	Linear Spread Lens	TIR5 WFLD	TIR Optic - Wide Flood
DCCF 200 ³	Dichroic Color Correction Filters	T40N ⁴	Monopoint Canopy		
UVF 200	UV Filter				

See specification sheet [D1.2.2](#) for details. Other accessories can be found on specification sheet [D1.2.0](#).

Notes:

- HTEK versions available with OFF option only, and OFF option available with HTEK versions only; HTEK option not qualified for DLC®.
- 3000K and 3500K only.
- DCCF 200 HAL2700 corrects 3000K color to approximately 2700K and 4000K color to approximately 3400K.
- Add finish code to complete catalog number (Example: T40N WH).



24W VERTICAL CYLINDER LED

T383L G2

PERFORMANCE DATA¹

Catalog Number	Input Voltage	Input Watts (Typical)	Lumens	Efficacy (LPW)	Rated Life (Hours)
T383L G2 27K 80CRI PDIM SP	120V	24.1	2238	93	50,000
T383L G2 27K 80CRI PDIM NFL	120V	24.1	2228	92	50,000
T383L G2 27K 80CRI PDIM FL	120V	24.1	2271	94	50,000
T383L G2 27K 80CRI PDIM WFL	120V	24.1	2128	88	50,000
T383L G2 27K 90CRI PDIM SP	120V	24.1	1933	80	50,000
T383L G2 27K 90CRI PDIM NFL	120V	24.1	1924	80	50,000
T383L G2 27K 90CRI PDIM FL	120V	24.1	1961	81	50,000
T383L G2 27K 90CRI PDIM WFL	120V	24.1	1838	76	50,000
T383L G2 30K 80CRI PDIM SP	120V	24.1	2238	93	50,000
T383L G2 30K 80CRI PDIM NFL	120V	24.1	2228	92	50,000
T383L G2 30K 80CRI PDIM FL	120V	24.1	2271	94	50,000
T383L G2 30K 80CRI PDIM WFL	120V	24.1	2128	88	50,000
T383L G2 30K 90CRI PDIM SP	120V	24.1	1974	82	50,000
T383L G2 30K 90CRI PDIM NFL	120V	24.1	1965	82	50,000
T383L G2 30K 90CRI PDIM FL	120V	24.1	2003	83	50,000
T383L G2 30K 90CRI PDIM WFL	120V	24.1	1877	78	50,000
T383L G2 30K SPW PDIM SP	120V	24.1	2065	86	50,000
T383L G2 30K SPW PDIM NFL	120V	24.1	2056	85	50,000
T383L G2 30K SPW PDIM FL	120V	24.1	2096	87	50,000
T383L G2 30K SPW PDIM WFL	120V	24.1	1964	81	50,000
T383L G2 35K 80CRI PDIM SP	120V	24.1	2370	98	50,000
T383L G2 35K 80CRI PDIM NFL	120V	24.1	2360	98	50,000
T383L G2 35K 80CRI PDIM FL	120V	24.1	2405	100	50,000
T383L G2 35K 80CRI PDIM WFL	120V	24.1	2254	94	50,000
T383L G2 35K 90CRI PDIM SP	120V	24.1	2096	87	50,000
T383L G2 35K 90CRI PDIM NFL	120V	24.1	2086	87	50,000
T383L G2 35K 90CRI PDIM FL	120V	24.1	2126	88	50,000
T383L G2 35K 90CRI PDIM WFL	120V	24.1	1993	83	50,000
T383L G2 35K SPW PDIM SP	120V	24.1	2116	88	50,000
T383L G2 35K SPW PDIM NFL	120V	24.1	2106	87	50,000
T383L G2 35K SPW PDIM FL	120V	24.1	2147	89	50,000
T383L G2 35K SPW PDIM WFL	120V	24.1	2012	83	50,000
T383L G2 40K 80CRI PDIM SP	120V	24.1	2411	100	50,000
T383L G2 40K 80CRI PDIM NFL	120V	24.1	2400	100	50,000
T383L G2 40K 80CRI PDIM FL	120V	24.1	2446	102	50,000
T383L G2 40K 80CRI PDIM WFL	120V	24.1	2292	95	50,000
T383L G2 40K 90CRI PDIM SP	120V	24.1	2136	89	50,000
T383L G2 40K 90CRI PDIM NFL	120V	24.1	2127	88	50,000
T383L G2 40K 90CRI PDIM FL	120V	24.1	2168	90	50,000
T383L G2 40K 90CRI PDIM WFL	120V	24.1	2031	84	50,000

Notes:

¹ Performance data, including Rated Life, is based on measurements of an individual fixture operating at 120V in a 25°C ambient.

ELECTRICAL DATA

Input Voltage	120V	277V
Input Current (max.)	0.22A	0.10A
Power Factor	>0.99	>0.97
T.H.D.	<10%	<10%



TRAC-MASTER®

Avant Garde

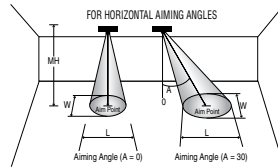
24W VERTICAL CYLINDER LED

T383L G2

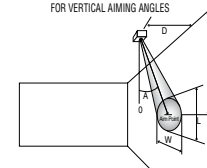
PHOTOMETRICS

CBCP • Centerbeam candlepower
 FC • Footcandles at beam center (aim point)

In vertical aiming applications, aim point (X) is determined by dividing distance from the wall (D) by the tangent of the desired aim angle (A) (0.5774 for 30°, 1.0 for 45°, 1.732 for 60°).



Horizontal Aiming Angles



Vertical Aiming Angles



Fixture	Beam Type	Beam Spread	Rated Life	CBCP	0°		30°			30°					45°				60°						
					MH	FC	L	W	FC	L	W	D	FC	X	L	W	FC	X	L	W	D	FC	X	L	W
Vertical Cylinder 24W LED, 30K, 80CRI Spot	SP	16°	50000	21541	8	337	2.2	2.2	219	3.0	2.6	4	168	6.9	4.7	2.2	476	4.0	2.3	1.6	8	219	4.6	3.0	2.6
					10	215	2.8	2.8	140	3.7	3.2	5	108	8.7	5.9	2.8	305	5.0	2.8	2.0	10	140	5.8	3.7	3.2
					12	150	3.4	3.4	97	4.5	3.9	6	75	10.4	7.1	3.4	212	6.0	3.4	2.4	12	97	6.9	4.5	3.9
					14	110	3.9	3.9	71	5.2	4.5	7	55	12.1	8.3	3.9	155	7.0	4.0	2.8	14	71	8.1	5.2	4.5
					16	84	4.5	4.5	55	6.0	5.2	8	42	13.9	9.5	4.5	119	8.0	4.6	3.2	16	55	9.2	6.0	5.2
Vertical Cylinder 24W LED, 30K, 80CRI Narrow Flood	NFL	27°	50000	9269	6	257	2.8	2.8	167	3.9	3.3	2	290	3.5	4.5	1.9	819	2.0	2.0	1.3	6	167	3.5	3.9	3.3
					8	145	3.8	3.8	94	5.1	4.4	3	129	5.2	6.8	2.8	364	3.0	3.0	2.0	7	123	4.0	4.5	3.8
					10	93	4.7	4.7	60	6.4	5.5	4	72	6.9	9.1	3.8	205	4.0	4.0	2.7	8	94	4.6	5.1	4.4
					12	64	5.7	5.7	42	7.7	6.6	5	46	8.7	11.4	4.7	131	5.0	5.0	3.3	9	74	5.2	5.8	4.9
Vertical Cylinder 24W LED, 30K, 80CRI Flood	FL	38°	50000	5223	4	326	2.8	2.8	212	3.8	3.2	2	163	3.5	8.6	2.8	462	2.0	3.1	1.9	3	377	1.7	2.9	2.4
					5	209	3.4	3.4	136	4.8	4.0	3	73	5.2	12.8	4.1	205	3.0	4.7	2.9	4	212	2.3	3.8	3.2
					6	145	4.1	4.1	94	5.7	4.8	4	41	6.9	17.1	5.5	115	4.0	6.3	3.9	5	136	2.9	4.8	4.0
					7	107	4.8	4.8	69	6.7	5.6	5	26	8.7	21.4	6.9	74	5.0	7.8	4.9	6	94	3.5	5.7	4.8
Vertical Cylinder 24W LED, 30K, 80CRI Wide Flood	WFL	53°	50000	2365	2	591	2.0	2.0	384	2.9	2.3	1.0	296	1.7	14.9	2.0	836	1.0	2.6	1.4	2	384	1.2	2.9	2.3
					3	263	3.0	3.0	171	4.3	3.4	1.5	131	2.6	22.4	3.0	372	1.5	3.9	2.1	3	171	1.7	4.3	3.4
					4	148	4.0	4.0	96	5.7	4.6	2.0	74	3.5	**	4.0	209	2.0	5.2	2.8	4	96	2.3	5.7	4.6
					5	95	4.9	4.9	61	7.2	5.7	2.5	47	4.3	**	4.9	134	2.5	6.6	3.5	5	61	2.9	7.2	5.7
6	66	5.9	5.9	43	8.6	6.9	3.0	33	5.2	**	5.9	93	3.0	7.9	4.2	6	43	3.5	8.6	6.9					

**Due to steep aiming angle, length of beam extends beyond 25'.

CRI/CCT Multiplier		
CRI	CCT	Multiplier
80	27K	1.00
	30K	1.00
	35K	1.06
	40K	1.08
90	27K	0.86
	30K	0.88
	35K	0.94
	40K	0.95
SPW	30K	0.92
	35K	0.95

TYPE B

Avant Garde

24W VERTICAL CYLINDER LED

T383L G2

Project: _____

Fixture Type: _____

Location: _____

Contact/Phone: _____



PRODUCT DESCRIPTION

The classic, simple appearance of the Vertical Cylinder LED fixtures offers a fresh take on a traditional aesthetic. The subtle elegance is carried through the entire design producing an understated charm. The 24W Vertical Cylinder LED fixtures have integral TIR optics which enable uniform spot, narrow flood, flood or wide flood distributions to be achieved. These fixtures have an integral, bayonet-mounted accessory holder that accommodates up to two accessories if desired. The 24W Vertical Cylinder LED can deliver up to 2446 lumens, at efficacies up to 102LPW and having a rated life of 50,000 hours. The Canopy Mount version is designed to mount over a standard j-box and is available with a variety of performance options including 277V operation, 347V operation, phase-dimming, and 0-10V dimming.



PRODUCT SPECIFICATIONS

Construction All-metal housing and custom designed concealed heat sink provides outstanding thermal management, yielding 70% average lumen maintenance at 50,000 hours of operation • Passively-cooled design – no moving parts to break or wear-out • Extruded aluminum vertically mounted LED driver housing • Concealed fixture wiring for a clean aesthetic • Fashionable, elegant design complements any decor • Available in white or black painted finishes.

LED High performance LED array provides outstanding reliability, performance and color quality/consistency • 2700K, 3000K, 3500K or 4000K white phosphor high performance LEDs • Chromaticity range within a 3-step MacAdam Ellipse • 80 CRI minimum on standard product • Optional high CRI versions offer 90 CRI minimum • Optional SpectralWhite versions are also available which make whites appear naturally brilliant and render colors more richly.

Electrical/Driver Multi-volt (120-277V, 50/60Hz) phase-dimmable or 0-10V dimmable driver mounted in a vertical driver housing and assembled to a slim canopy • Optional 347V 0-10V dimmable driver mounted in a deep canopy • 0-10V dimming requires two (2) additional low-voltage wires to be pulled.

Dimming MVOLT versions are phase-dimmable (120V only) down to 10% or less using high quality, factory-approved dimmers - see [T383LG2-DIM](#) • MVOLT versions are also 0-10V dimmable down to as low as 1% and require two (2) additional low-voltage wires to be pulled • 347V versions are 0-10V dimmable down to as low as 1% and require two (2) additional low-voltage wires to be pulled.

Optics Interchangeable computer-designed custom TIR optics available in four factory-configured beam spreads • One TIR optic provided with fixture (as specified in catalog number) • Accessory optics available to enable beam changes in the field • Beam patterns can be altered as desired using a variety of available light control accessories.

Mounting Installs over a standard electrical j-box • Accent light is permanently, factory-assembled to the mounting canopy • Universal mounting plate accommodates octagon box and typical j-box mud rings • Mounting plate designed to be installed snug to mounting surface • May be ceiling or wall mounted in any orientation • Driver is assembled into vertical driver housing for MVOLT versions or into deep mounting canopy for 347V versions – see Dimensions section for canopy type and dimensions based on option selected • Canopy is securely tethered to mounting plate to facilitate wiring terminations.

Accessory Holder Integral to fixture design • Die cast aluminum construction • Precision bayonet mounting • Accommodates one accessory if desired.

Aiming 360° horizontal coverage • Greater than 180° vertical aiming capability.

Labels UL and C-UL Damp Location Listed • Union made • Assembled in U.S.A.

Government Procurement

BAA – Buy America(n) Act: Product qualifies as a domestic end product under the Buy American Act as implemented in the FAR and DFARS. Product also qualifies as manufactured in the United States under DOT Buy America regulations.

BABA – Build America Buy America: Product qualifies as produced in the United States under the definitions of the Build America, Buy America Act.

Please refer to www.acuitybrands.com/buy-american for additional information.

Warranty 5-year limited warranty. This is the only warranty provided and no other statements in this specification sheet create any warranty of any kind. All other express and implied warranties are disclaimed. Complete warranty terms located at: www.acuitybrands.com/support/warranty/terms-and-conditions

Note: Actual performance may differ as a result of end-user environment and application. All values are design or typical values, measured under laboratory conditions at 25 °C. Specifications subject to change without notice.



TRAC-MASTER®

Avant Garde

24W VERTICAL CYLINDER LED

T383L G2

DIRECT CANOPY MOUNT

ORDERING INFORMATION

Ordering Example: T383L CPY G2 30K 80CRI MVOLT NFL BL

Series	Mounting Adapter Type	Generation	Color Temperature	Color Rendering Index	Input Voltage ²
T383L 24W Vertical Cylinder LED	CPY Canopy Mounting	G2 Generation 2	27K 2700K 30K 3000K 35K 3500K 40K 4000K	80CRI 80 CRI 90CRI 90 CRI SPW ¹ SpectralWhite	MVOLT 120V/277V Operation 347 347V Operation

Distribution	Finish
SP Spot	BL Black
NFL Narrow Flood	WH White
FL Flood	
WFL Wide Flood	

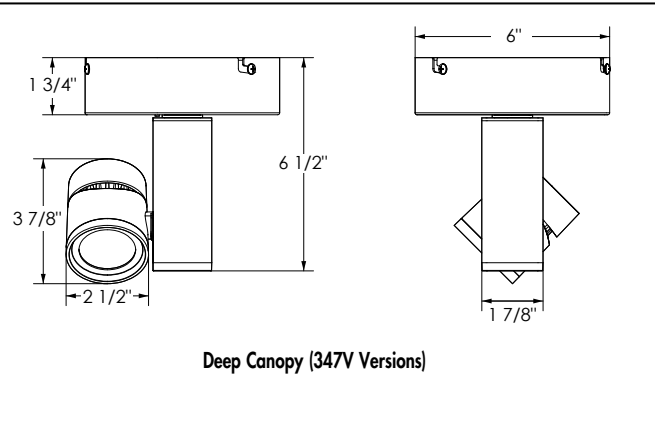
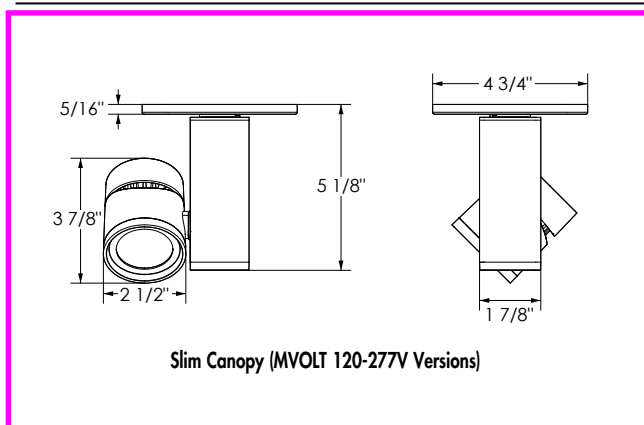
#T383L-CPY-G2-30K-80CRI-MVOLT-SP-WH
/HCLBL/LSPREAD 200

Accessories (Order Separately)			
HCLBL 200 Hexcell Louver - Black	UVF 200 UV Filter	TIR1 SPT TIR Optic - Spot	
SNOOTBL 200 Snoot - Black	DIFF 200 Diffusion Lens	TIR1 NFLD TIR Optic - Narrow Flood	
CGF 200 Color Glass Filters	SOLITE 200 Uniformity Lens	TIR1 FLD TIR Optic - Flood	
DGF 200 Dichroic Glass Filters	PRISM 200 Prismatic Spread Lens	TIR5 WFLD TIR Optic - Wide Flood	
DCCF 200 Dichroic Color Correction Filters	LSPREAD 200 Linear Spread Lens		

See specification sheet [D1.2.2](#) for details. Other accessories can be found on specification sheet [D1.2.0](#).

Notes:
 1 3000K and 3500K only.
 2 MVOLT option can be either phase-dimmed (120V) or 0-10V dimmed; 347V option is 0-10V dimming only.

DIMENSIONS



JUNO**JUNO HD COMMERCIAL TRAC**

120V, 2-Circuit/2-Neutral Track System

**TRACK SECTIONS, JOINERS,
FEEDS, ACCESSORIES & FIXTURES****TEK Series**

Project: _____

Fixture Type: _____

Location: _____

Contact/Phone: _____

PRODUCT DESCRIPTION

Juno HD Commercial 2-Circuit/2-Neutral Trac is ideal for dimming intensive applications. The independent neutrals guarantee that the two circuits are completely isolated. The potential for cross-circuit interference and neutral harmonics is completely eliminated to ensure trouble-free dimming. The HD Commercial 2-Circuit/2-Neutral Trac's extruded aluminum construction and continuously crimped conductors ensure mechanical strength and electrical reliability. Its integral suspension rail and predrilled mounting holes simplify installation. A wide variety of Juno track fixtures may be specified for use with the HD Commercial Trac system.

PRODUCT SPECIFICATIONS

Construction Rugged, heavy gauge extruded aluminum channel • Firmly crimped insulation and conductors for superior mechanical strength and electrical reliability • Integral mounting channel simplifies installation • Integral polarity ridge ensures proper connector and fixture installation • Fixtures supported by aluminum track extrusion to provide maximum weight bearing capacity and to ensure reliable contact with electrical conductors • Available in white or black painted finishes.

Electrical Two circuit operation with independent neutrals • Each circuit is rated for 20 Amp, 120 Volt operation • Track extrusion serves as 100% capacity ground • May be powered using a number of standard electrical feeds, or current limiting end feeds if necessitated by local codes.

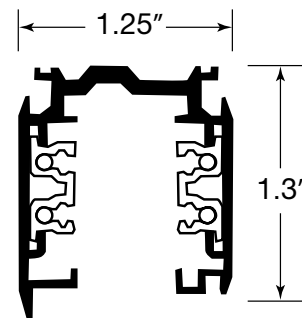
Fixture Adapter System specific and assembled to track fixture • Integrally polarized construction to prevent reverse installation – only allows insertion in proper orientation • Rotary circuit selector enables simple switching between circuits • Integral on/off switch enables individual fixtures to be switched for servicing • See compatible track fixture selection on page 2 – contact factory for additional fixture choices.

Labels UL Listed • cUL Listed • Current Limiting Feeds approved by the California Energy Commission to meet requirements of Title 24 • Current Limiting Feeds comply with ASHRAE 90.1 and IECC Section 805.5.1.4 for track current limiting.

WARRANTY - 1-year limited warranty. This is the only warranty provided and no other statements in this specification sheet create any warranty of any kind. All other express and implied warranties are disclaimed. Complete warranty terms located at: www.acuitybrands.com/support/warranty/terms-and-conditions

Note: Actual performance may differ as a result of end-user environment and application.

Specifications subject to change without notice.

**DIMENSIONS****PRODUCT INSTALLATION**

Installation May be installed in linear or grid configurations (see examples on page 2) • **Track sections can be cut in the field** • Conductors of field cut track sections must be bent using XTSV12 Bending Tool to ensure proper electrical connections.

Mounting May be mounted directly to hard ceiling using suitable anchors (supplied by others) at pre-drilled mounting holes or using SKB10 Mounting Clip and integral suspension rail • May be mounted to 15/16" T-bar ceiling using appropriate SKBT12 or SKBX12 Mounting Clips and integral suspension rail • Can also be suspended from ceilings using SPUS Pendant Stem Kits, SKB34 Cable Suspension Kits or 1/4"-20 threaded rod (by others) • Mounting points should be spaced no further than 4' apart and within 6" of any track feed point, junction or end point.

JUNO HD COMMERCIAL TRAC

120V, 2-Circuit/2-Neutral Track System

TRACK SECTIONS, JOINERS, FEEDS, ACCESSORIES & FIXTURES

TEK Series

TRACK SECTIONS

PRODUCT CODES

Catalog Number	Description	Finish	Actual Length
TEK4 4FT BL	4' Track Section	Black	48"
TEK4 4FT WH	4' Track Section	White	48"
TEK4 8FT BL	8' Track Section	Black	96"
TEK4 8FT WH	8' Track Section	White	96"
TEK4 12FT BL	12' Track Section	Black	144"
TEK4 12FT WH	12' Track Section	White	144"

#TEK4 4FT WH/TEK11 WH-SKB10 WH-GES15 WH-TEK41 WH/ALL REQUIRED COMPONENT PARTS HD Commercial Trac Compatible Fixtures

A variety of Juno track fixture designs can be adapted to operate with the Juno HD Commercial Trac system. Each fixture has a factory-assembled 2-circuit track adapter that is uniquely keyed to the 120V HD Commercial Trac system. **To order, select alternate TEK Adapter.**

Compatible fixture families include (consult factory for additional choices):

TEK Compatible:

R610L, R612L Integral Driver LED Cylinders

R620L Adjustable Beam LED Cylinder

T254L, T255L LED Cylindra

T256L, T257L, T258L, T259L, T260L LED Flood/Wall Washers

T261L, T262L, T263L, T265L, T267L LED Conix II Series

T271L, T272L LED Arc Series

T283L, T285L, T286L LED Cylinders with Integral Driver

T292 Studio II Series

T381L, T382L, T383L, T385L, T387L, T388L LED Vertical Cylinder Series

T690 Open Back Gimbals (Front Loading)

T1020, T1030, T1031S, T1038 Die Cast Gimbals

Ordering Examples: "T261L G3 30K 80CRI PDIM SP BL" becomes "T261L TEK G3 30K 80CRI PDIM SP BL"

and "T1030 E26 75W WH" becomes "T1030 TEK E26 75W WH"

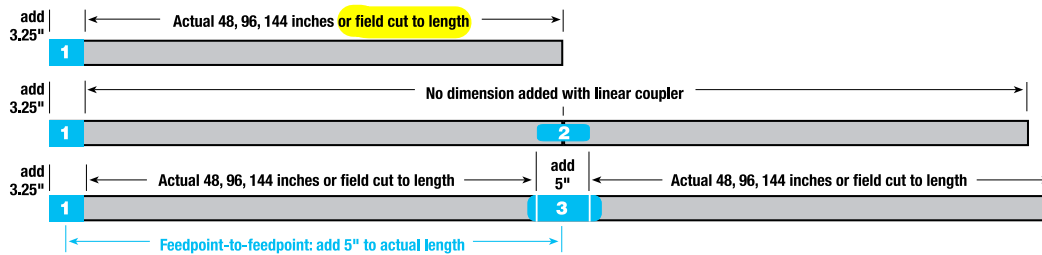
JUNO HD COMMERCIAL TRAC

120V, 2-Circuit/2-Neutral Track System

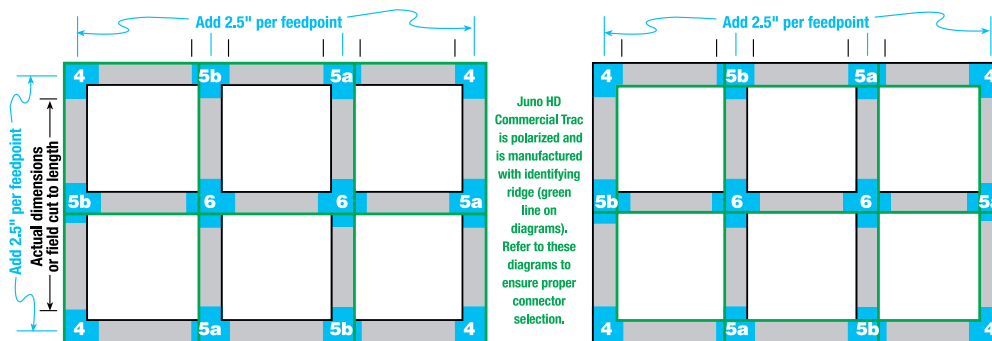
TRACK SECTIONS, JOINERS, FEEDS, ACCESSORIES & FIXTURES

TEK Series

POSSIBLE TRACK CONFIGURATION & RECOMMENDED COMPONENTS



1. **TEK11** End Feed (left) - standard
TEK12 End Feed (right) - reverse polarity (used for conduit feed also)
2. **TEK21** Miniature Straight Connector
3. **TEK14** Center Feed
4. **TEK34** 90° "L" Connector (adjustable universal polarity)
- 5a. **TEK39** "T" Connector (adjustable right reverse polarity)
- 5b. **TEK40** "T" Connector (adjustable Left Standard polarity)
6. **TEK38** "X" Connector



JUNO HD COMMERCIAL TRAC

120V, 2-Circuit/2-Neutral Track System

TRACK SECTIONS, JOINERS, FEEDS, ACCESSORIES & FIXTURES

TEK Series

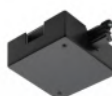
SYSTEM COMPONENTS



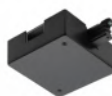
TEK11 BL, TEK11 WH
End Feed - Left Standard Polarity
Enables feeding of TEK Trac from top.
Use as Conduit End Feed also.



TEK12 BL, TEK12 WH
End Feed - Right Reverse Polarity
Enables feeding of TEK Trac from top.
Use as Conduit End Feed also.



TEK11CL BL, TEK11CL WH
Current Limiting End Feed - Left Standard Polarity
Enables feeding of TEK Trac from top. Requires two TCL Current Limiters (one per circuit) to provide track current limiting per national, state and local energy codes. Permanently attaches to track using one-way screw.



TEK12CL BL, TEK12CL WH
Current Limiting End Feed - Right Reverse Polarity
Enables feeding of TEK Trac from top. Requires two TCL Current Limiters (one per circuit) to provide track current limiting per national, state and local energy codes. Permanently attaches to track using one-way screw.



TCLCB 0.5A BLCK, TCLCB 0.5A WHT, TCLCB 1A BLCK, TCLCB 1A WHT, TCLCB 2A BLCK, TCLCB 2A WHT, TCLCB 3A BLCK, TCLCB 3A WHT, TCLCB 4A BLCK, TCLCB 4A WHT, TCLCB 5A BLCK, TCLCB 5A WHT, TCLCB 6A BLCK, TCLCB 6A WHT, TCLCB 7A BLCK, TCLCB 7A WHT, TCLCB 8A BLCK, TCLCB 8A WHT, TCLCB 10A BLCK, TCLCB 10A WHT, TCLCB 12A BLCK, TCLCB 12A WHT, TCLCB 14A BLCK, TCLCB 14A WHT,

Plug-In Current Limiters
For use with TEK11 or TEK12 Current Limiting End Feeds. Available in 0.5A (60W), 1A (120W), 2A (240W), 3A (360W), 4A (480W), 5A (600W), 6A (720W), 7A (840W), 8A (960W), 10A (1200W), 12A (1440W) and 14A (1680W) ratings.



TEK14 BL, TEK14 WH
Center Feed
Joins two TEK Trac sections in-line both electrically and mechanically. Enables feeding of TEK Trac from top at intersection.



TEK21 BL, TEK21 WH
Miniature Straight Connector
Joins two TEK Trac sections in-line both electrically and mechanically.



TEK24 BL, TEK24 WH
Adjustable Connector
Capable of joining two TEK Trac sections at 90° to 180°. Ideal for applications where using an "L" connector is not practical; also useful for installing Trac around curved architectural details.



TEK34 BL, TEK34 WH
90° "L" Connector
Joins TEK Trac sections to make a 90° angle with continued electrical feed. May be used to feed TEK Trac from top.



TEK38 BL, TEK38 WH
"X" Connector
Joins four TEK Trac sections to make an "X" intersection with continued electrical feed. May be used to feed TEK Trac from top.



TEK39 BL, TEK39 WH
"T" Connector - Adjustable Right Reverse Polarity
Joins three TEK Trac sections to make a "T" intersection with continued electrical feed. May be used to feed TEK Trac from top.



TEK40 BL, TEK40 WH
"T" Connector - Adjustable Left Standard Polarity
Joins three TEK Trac sections to make a "T" intersection with continued electrical feed. May be used to feed TEK Trac from top.



GES15 BL, GES15 WH
Outlet Box Cover
Thermoplastic outlet box cover for use when feeding TEK Trac directly over outlet box using TEK11, TEK12, TEK14, TEK34, TEK38, TEK39 or TEK40.



TEK41 BL, TEK41 WH
Dead End
Not supplied with TEK Trac sections — must be ordered separately.



XTSV12
Track Conductor Bending Tool
All-in-one hand tool bends the track conductors and measures the correct length to ensure proper electrical contact. Required only if track sections are cut in the field.



SKB10 BL, SKB10 WH
Mounting Bracket
For mounting direct to ceiling



SKBT12 BL, SKBT12 WH
Mounting Bracket
For mounting to flush tile 15/16" T-bar ceiling.



SKBX12 BL, SKBX12 WH
Mounting Bracket
For mounting to drop tile recessed 15/16" T-bar ceiling.



SKB30 BL, SKB30 WH
Ceiling Cup Kit
Use to suspend TEK Trac from the ceiling when using steel cable or threaded rod. Included bracket provides suspension attachment point and ceiling cup covers the bracket for an aesthetically pleasing result. **INCLUDES BRACKET AND CEILING CUP ONLY.** Must be combined with SP4P and SKB34 or 1/4"-20 threaded rod (supplied by others) for a complete suspension solution.



SKB34 5FT, SKB34 9FT
Cable Suspension Kit
Use to suspend TEK Trac from the ceiling with supplied 5' or 9' steel cable. **INCLUDES CABLE AND CABLE ADJUSTMENT FITTER ONLY.** Must be combined with SP4P and SKB30 for a complete suspension solution.



SPUS 12IN BL, SPUS 12IN WH, SPUS 18IN BL, SPUS 18IN WH, SPUS 24IN BL, SPUS 24IN WH, SPUS 48IN BL, SPUS 48IN WH
Mounting Stem Kit
Use to suspend TEK Trac from the ceiling. **INCLUDES MOUNTING STEM AND CANOPY COMPONENTS ONLY.** Must be combined with SP4P for suspension-only mounting points (SP4P not needed at feed or connection points). Available in 12", 18", 24" and 48" lengths.



SP4P BL, SP4P WH
Universal Suspension Coupler
Use to suspend TEK Trac, except at feed or connection points. **INCLUDES SUSPENSION COUPLER ONLY.** Must be combined with SPUS Stem Kit, or SKB34 Cable Kit, or 1/4"-20 threaded rod (supplied by others) for a complete suspension solution.

Finishes: BL, BLCK - Black, WH, WHT - White

TEK11 WH-SKB10 WH-GES15 WH-TEK41 WH/ALL REQUIRED COMPONENT PARTS

Interior Pendant

sales@glighting.com www.glighting.com

GENERAL SPECIFICATION

LED: High efficiency 90CRI mid-power LEDs. Universal voltage.

Uplight: Optional uplight is wired on a second circuit.

Lower Output: Lamping code ending with LO features lower lumen output.

LED Driver: Must be mounted within 25ft from fixture body.

Finish: Highly durable oven cured no VOC premium powder coat.

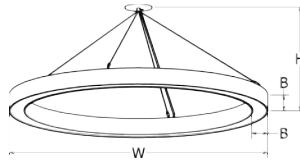
Canopy: Matches fixture finish.

Cable Hanger: Standard 150" cable and white cord for on-site adjustability.

Modifications: Consult factory for modified fixture sizes and lumen packages.

Surge Protection: External surge protector provided as standard.

LED Dimming: Standard 1% 0-10V dimming. TRIAC, DALI, and DMX available upon request.



SAMPLE CATALOG NUMBER: #GL-2309-B-B-PA-2-WH-WH		GL-2307-		B-	B-	BLK-	1-	A	
MODEL NO.	LAMPING	FINISH	HANGER		OPTIONS				
GL-2305 W in 24" 7lbs B in 3" x 3" 3.2kg H in 11"-145"	Down: A. LED30 B. LED35 C. LED40 D. LED30LO E. LED35LO F. LED40LO	Up: A. LED30 B. LED35 C. LED40 D. LED30LO E. LED35LO F. LED40LO G. NONE	Standard: Powder Coat BLK-Black BL-Blue GR-Gray LG-Light Gray BE-Beige PAB-Antique Brass PA-Painted Aluminum PTC-Painted Copper WH-White DBZ-Dark Bronze NSN-New Satin Nickel BRN-Brown RD-Red CH-Champagne RG-Reed Green SG-Sungold GM-Gun Metal POR-Oil Rubbed Bronze PG-Pine Green DO-Deep Orange PV-Purple Violet NB-Navy Blue		1. Cable - Standard Drivers mounted remotely. See Centric Hanger Guide for more information.		A. No Options BC. Black Cord Fixture supplied with black power cord. EL. Emergency LED Must be remotely mounted in a controlled environment with an area temperature range of 32°-131°F. Specify 120 or 277 voltage.		
GL-2306 W in 36" 10lbs B in 3" x 3" 4.5kg H in 18.75"-145"			2. Oversized Drivers mounted inside oversized canopy. See Centric Hanger Guide for more information.						
GL-2307 W in 48" 14lbs B in 3" x 3" 6.3kg H in 18.75"-145"			3. Vertical Remote Canopy Drivers mounted remotely. See Centric Hanger Guide for more information.						
GL-2308 W in 60" 18lbs B in 3" x 3" 8.2kg H in 18.75"-145"			4. Vertical Integral Canopy Drivers mounted inside 12.5" oversized canopy. See Centric Hanger Guide for more information. Hanger options 1&3 supplied with remote driver box.						
GL-2309 W in 72" 22lbs B in 3" x 3" 10kg H in 18.75"-145"		Textured Powder TLV-Light Verdigris TWH-Textured White TBL-Textured Black TS-Textured Silver TBZ-Textured Bronze TST-Stone							
GL-2310 W in 96" 28lbs B in 3" x 3" 12.7kg H in 18.75"-145" Fixture Body Built in Three Segments and Six Acrylic Segments		Premium: SA-Satin Aluminum							
GL-2311 W in 120" 36lbs B in 3" x 3" 16.3kg H in 18.75"-145" Fixture Body Built in Three Segments and Six Acrylic Segments									

All Dimensions are nominal.

Light Source Definition

Fixture	Lumen Output					Kelvin	Code	Low Lumen Output				
	Total Wattage	CRI	Life Hrs	Rated Lumens	Delivered Lumens			Total Wattage	CRI	Life Hrs	Rated Lumens	Delivered Lumens
GL-2305	67	+90	50000	4518	3000/3500/4000	3000/3500/4000	GL-2305	36	+90	50000	2788	3000/3500/4000
GL-2306	94	+90	50000	7003	3000/3500/4000	3000/3500/4000	GL-2306	55	+90	50000	4419	3000/3500/4000
GL-2307	132	+90	50000	9804	3000/3500/4000	3000/3500/4000	GL-2307	77	+90	50000	6120	3000/3500/4000
GL-2308	158	+90	50000	11837	3000/3500/4000	3000/3500/4000	GL-2308	91	+90	50000	7364	3000/3500/4000
GL-2309	189	+90	50000	14051	3000/3500/4000	3000/3500/4000	GL-2309	109	+90	50000	8855	3000/3500/4000
GL-2310	236	+90	50000	17801	3000/3500/4000	3000/3500/4000	GL-2310	136	+90	50000	10075	3000/3500/4000
GL-2311	317	+90	50000	22324	3000/3500/4000	3000/3500/4000	GL-2311	182	+90	50000	14064	3000/3500/4000

Wattage & lumens represent output for one side (up or down).

Universal Voltage unless otherwise specified.

CENTRIC

Hanger Guide

TYPE D CONCEPT



9777 Reavis Park Drive
St. Louis, MO 63123
800.331.2425 or 314.631.6000

LED Driver: Driver must be remotely mounted within 25ft from fixture body.

sales@glighting.com www.glighting.com

HANGER

	1. Cable (Standard)	2. Oversized	3. Vertical Remote Canopy	4. Vertical Integral Canopy
GL-2305 GL-2315	 Driver mounted remotely. (3) Cables & (1) power cord per fixture.	 Drivers mounted inside 12.5" canopy.	 Drivers mounted remotely. (4) Canopies total. (1) Power feed canopy.	 Drivers mounted inside 12.5" canopy. (1) Oversized canopy per fixture. (4) Canopies total. (1) Power feed point.
GL-2306 GL-2316	 (1) Drivers mounted remotely. (3) Cables and (1) power cord per fixture.	 Drivers mounted inside 12.5" canopy.	 Drivers mounted remotely. (4) Canopies total. (1) Power feed canopy.	 Drivers mounted inside 12.5" canopy. (1) Oversized canopy per fixture. (4) Canopies total. (1) Power feed point.
GL-2307 GL-2317	 Drivers mounted remotely. (4) Cables & (1) power cord per fixture.	 Drivers mounted inside 12.5" canopy.	 Drivers mounted remotely. (4) Canopies total. (1) Power feed canopy.	 Drivers mounted inside 12.5" canopy. (1) Oversized canopy per fixture. (4) Canopies total. (1) Power feed point.
GL-2308 GL-2318	<p style="color: magenta; text-align: center;">ATTACH GOLD CHAIN TO EXISTING CABLE SUPPORTS TO GIVE SIMILAR APPEARANCE AS ENTRY CHANDELIER</p> Drivers mounted inside 14.75" canopy.		 Drivers mounted remotely. (4) Canopies total. (2) Power feed canopies.	 Drivers mounted inside 12.5" canopy. (1) Oversized canopies per fixture. (4) Canopies total. (2) Power feed points.
GL-2309 GL-2319			<p style="color: magenta; text-align: center;">PAINT EXISTING CIRCULAR FRAME (CURRENTLY "ALUMINUM FINISH") WITH GOLD METALIC PAINT [CRESCENT BRONZE]</p> <p style="color: magenta; text-align: center;">https://www.crescentbronze.com/</p>	 Drivers mounted remotely. (4) Canopies total. (2) Power feed canopies.
GL-2310 Fixture Built in Three Segments	 Drivers mounted remotely. (6) Cables and (3) power cords per fixture. Fixture shipped in segments. On-site assembly required.		 Drivers mounted remotely. (6) Canopies total. Fixture shipped in segments. On-site assembly required. (3) Power feed canopies.	 Drivers mounted inside 12.5" canopy. (2) Oversized canopies per fixture. (6) Canopies total. Fixture shipped in segments. On-site assembly required. (3) Power feed points.
GL-2311 Fixture Built in Three Segments	 Drivers mounted remotely. (6) Cables and (3) power cords per fixture. Fixture shipped in segments. On-site assembly required.	 Drivers mounted inside oversized canopy. GL-2311 16" dia canopy. Fixture shipped in segments. On-site assembly required.	 Drivers mounted remotely. (6) Canopies total. Fixture shipped in segments. On-site assembly required. (3) Power feed canopies.	 Drivers mounted inside 12.5" canopy. (3) Oversized canopies per fixture. (6) Canopies total. Fixture shipped in segments. On-site assembly required. (3) Power feed points.



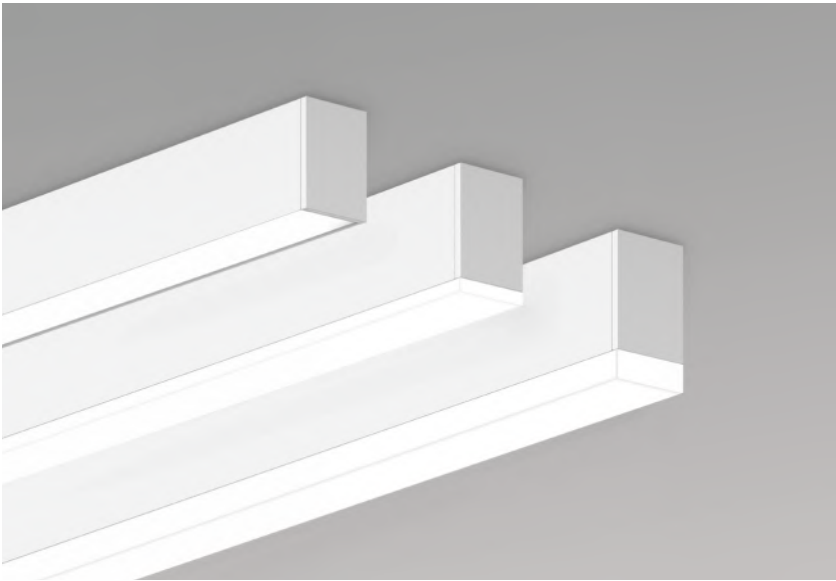
VIA 2 SURFACE

DIRECT
STATIC WHITE, BIOS



Project: _____

Type: _____



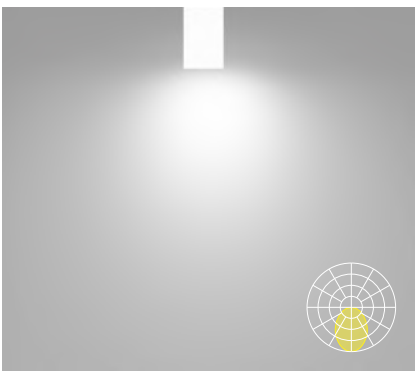
Lens Positions ¹

DESCRIPTION

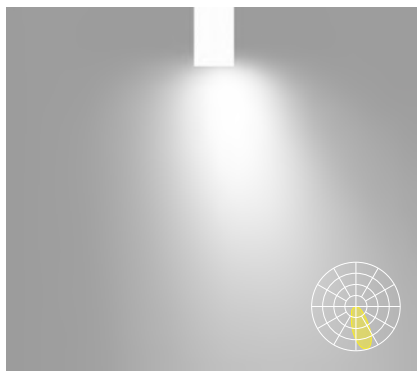
Our elegant, flexible Via family is composed of linear, pendant, surface, recessed, and wall mounted luminaires. Each lighting fixture can be installed as a discrete luminaire or in continuous runs or patterns. Via 2 Surface is offered with Lambertian, asymmetric, widespread, wall wash, or low-glare optics. Via 2 Surface can accommodate the Micro Spot, an adjustable spotlight that extends, rotates 360°, and tilts 90°.

Up to 122 lm/W performance

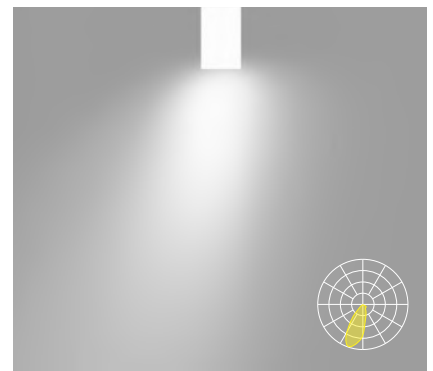
SENSORS
For latest information on sensors, click [here](#).



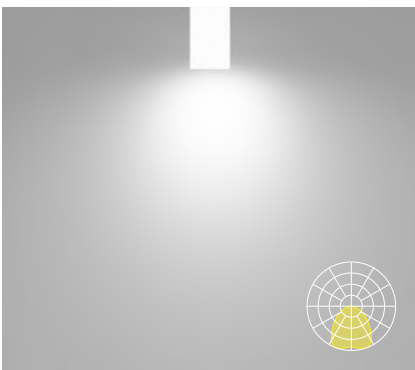
HLO
High-Efficiency Lambertian Optic



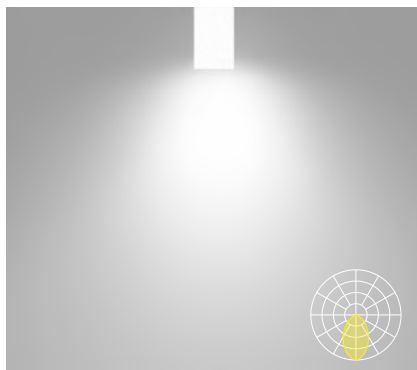
ARO2
Asymmetric Refractive Optic



WRO2
Wall Wash Refractive Optic



WDO
Widespread Direct Optic



LGO
Low-Glare Optic

¹Drop lens positions available with HLO only.

Project: _____

Type: _____

VIA2S-D-WDO-FH-SW-80CRI-750LMF-35K-16'-UNV-ELV-1C-DRC-W-AN

125 WATTS

Order Guide

LUMINAIRE ID	DISTRIBUTION	OPTIC	LENS POSITION	LIGHT SOURCE ²
VIA2S	D			
VIA2S - Via 2" Surface	D - Direct	HLO - High-Efficiency Lambertian Optic ARO2 - Asymmetric Refractive Optic WRO2 - Wall Wash Refractive Optic WDO - Widespread Direct Optic LGO - Low-Glare Optic	FH - Flush 0.5D ¹ - 0.5" drop 1.0D ¹ - 1.0" drop ¹ Available with HLO only.	SW - Static white BIOSST ^{3,4} - BIOS Biological Static BIOSDY ^{3,4} - BIOS Biological Dynamic BIOSTU ^{3,4} - BIOS Biological Tunable ² Chromawerx Sola, Duo and Quadro also available. Consult other spec sheets. ³ Only available with low and medium lumen packages. ⁴ See page 5 for details.

CRI	LUMEN PACKAGE	COLOR TEMP.	LUMINAIRE LENGTH	VOLTAGE
80CRI - 80 CRI 90CRI ⁵ - 90 CRI ⁵ Not available with BIOS.	200LMF ^{6,7,8} - Hypo output 200 lm/ft 350LMF - Low output 350 lm/ft 500LMF - Medium output 500 lm/ft 750LMF - High output 750 lm/ft 1000LMF ⁹ - Ultra high output 1000 lm/ft 1200LMF ^{7,10,11} - Hyper output 1200 lm/ft ⁶ Minimum 4' fixture. ⁷ Available with HLO only. ⁸ Not available with ELV/TRI driver options. ⁹ Not available with LGO. ¹⁰ Not available with 90 CRI. ¹¹ Fixture will be very bright. Use in suitable applications.	27K ¹² - 2700K 30K - 3000K 35K - 3500K 40K - 4000K 50K ¹² - 5000K ¹² Not available with BIOS.	#FT#IN - Specify nominal length (#) in 1' and/or 1" increments Standard nominal lengths: Single units: 2' to 12' Continuous runs: lengths over 12' <h3 style="color: magenta;">16'</h3>	120V - 120V 277V - 277V UNV - 120V-277V 347V ¹³ - 347V ¹³ Available with D1 driver only.

DRIVER ¹⁴	ELECTRICAL	ELECTRICAL SECTIONS (optional) ^{20,21}	MOUNTING
D1 - 1% 0-10V DA ¹⁵ - DALI LDE1 ¹⁵ - Lutron Hi-Lume 1% Eco ELD1 - eldoLED 1% ECOdrive 0-10V ELDO - eldoLED 0.1% SOLOdrive 0-10V ELV ¹⁶ - ELV 120V TRI ¹⁶ - TRIAC 120V ¹⁴ PoE (Power-over-Ethernet) compatible. Consult factory for details. ¹⁵ On-site commissioning is required. ¹⁶ Available with 120V only.	1C - 1 circuit #MC ¹⁷ - Multi circuit EC - Emergency-powered fixture NL - Night light fixture DL - Daylight fixture GTD ^{18,19} - Generator transfer device fixture ¹⁷ Specify total number of circuits (#), including any required for electrical section or Micro Spot options. Provide drawing or layout specifications. Minimum 4' section per circuit. ¹⁸ Minimum 4' fixture. ¹⁹ Not available with 347V.	#EC## ²² - Emergency-powered section #NL## ²² - Night light section #DL## ²² - Daylight section #GTD## ^{22,23,24} - Generator transfer device section #EMB ^{24,25} - Emergency battery NA - None ²⁰ Specify with multi circuit (#MC) electrical option only. ²¹ Provide drawing or layout specifications. Consult factory for other configurations. Default section length is 4'. ²² Specify quantity (#), and section length in inches (##). ²³ Minimum 4' section. ²⁴ Not available with 347V. ²⁵ Specify quantity (#). All batteries will be on the same circuit. Each battery powers a 4' section.	DRC - Drywall ceiling GRD - Grid ceiling

FINISH	CONTROL ²⁶	OPTIONS	MODULE (optional) ^{34,35,36}
W - Matte white AL - Aluminum B - Matte black CF# - Custom finish, specify RAL#	STANDALONE CONTROLS ^{27,28,29} Specify the quantity (#) of sensors per fixture. #OMS ³⁰ - Onboard Occupancy #OMS## ³¹ - Onboard Occupancy with bi-level dimming #ODS - Onboard Daylight #OCS - Onboard Occupancy & Daylight CONNECTED CONTROLS ³² LU - Lutron AWNR - Lutron Athena Wireless Node RF Only AWNS - Lutron Athena Wireless Node Sensor EN - Enlighted ENC - Encelium WL - Cooper Wavelinx AN - Acuity nLight CA - Casambi LG - Legrand NA - None ²⁶ Standalone and connected control options cannot be combined. ²⁷ Available with D1 driver and 1 circuit options only. ²⁸ Minimum 4' per zone. Provide control zone length.	FU120 - Fuse 120V FU277 - Fuse 277V ITR ³³ - Integrated track NA - None ³³ Consult factory for details.	#MS25() - Micro Spot 25° #MS35() - Micro Spot 35° #MS50() - Micro Spot 50° NA - None ³⁴ See page 3 for ordering details. ³⁵ If more than one option is specified, separate codes with a "+", e.g. IMS25(-)+IMS35(-). ³⁶ Not available with ELV/TRI driver options.

Module

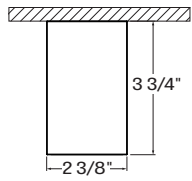
For a module, specify the options in the parentheses.

Example: 1MS25(SW-80CRI-400LM-27K-W)

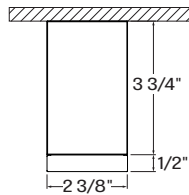
MODULES (optional)					
MODULES ^{1,2,3}	LIGHT SOURCE	CRI	LUMEN PACKAGE ⁴	COLOR TEMP.	FINISH
#MS25() - Micro Spot 25° #MS35() - Micro Spot 35° #MS50() - Micro Spot 50° NA - None ¹ Specify quantity (#). ² 6" Blank per module. ³ If more than one option is specified, separate codes with a "+", e.g. 1MS25(.)+1MS35(.).	SW - Static white	80CRI - 80 CRI 90CRI - 90 CRI	400LM - 400 lm ⁴ 5 W. Wattage is for reference only. May change based on driver.	27K - 2700K 30K - 3000K 35K - 3500K 40K - 4000K 50K - 5000K	W - Matte white B - Matte black

Dimensions

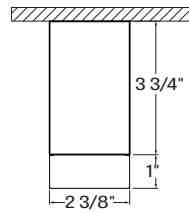
Flush Lens



0.5" Drop Lens ¹



1.0" Drop Lens ¹

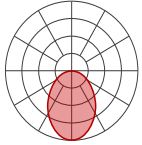


¹Drop lens positions available with HLO only.

Photometrics

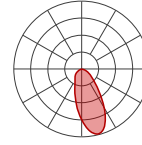
Values calculated based on a 4ft fixture at 35K and 80 CRI for all optics.

HLO (Flush Lens)



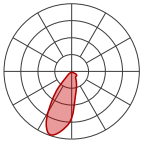
LM/FT	W/FT	LPW
200	1.8	109
350	3.2	109
500	4.7	107
750	7.2	104
1000	9.9	101
1200	12.2	98

ARO2



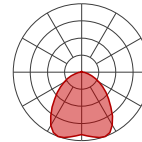
LM/FT	W/FT	LPW
350	3.0	116
500	4.4	113
750	7.0	107
1000	9.7	103

WRO2



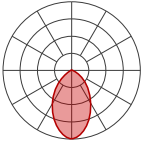
LM/FT	W/FT	LPW
350	3.0	116
500	4.4	112
750	7.0	107
1000	9.8	102

WDO



LM/FT	W/FT	LPW
350	3.4	104
500	5.0	101
750	7.8	96
1000	11.0	91

LGO



LM/FT	W/FT	LPW
350	3.8	91
500	5.7	88
750	9.1	83

MULTIPLIER TABLES

Use these tables to get results for different color temperatures, CRI, and drop lenses, for all photometric tables.

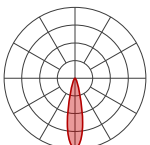
Multiplier - CCT/CRI

CCT (K)	WATTS		LPW	
	CRI 80	CRI 90	CRI 80	CRI 90
2700	1.05	1.27	0.95	0.79
3000	1.02	1.23	0.98	0.81
3500	1.00	1.19	1.00	0.84
4000	1.00	1.19	1.00	0.84
5000	0.96	1.12	1.04	0.89

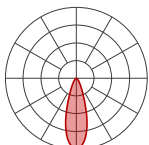
Multiplier - Drop Lens

DIRECT LENS	WATTS	LPW
Flush Lens	1.00	1.00
Drop Lens 0.5"	0.99	1.00
Drop Lens 1.0"	0.95	1.05

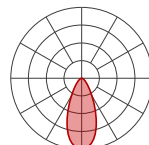
MICRO SPOT



Micro Spot 25°



Micro Spot 35°



Micro Spot 50°

DELIVERED LUMENS

Wattage	5.0									
	80					90				
CRI	2700K	3000K	3500K	4000K	5000K	2700K	3000K	3500K	4000K	5000K
Lumen	373	400	400	432	432	324	344	344	345	372

Technical Specifications

OPTICS

High-Efficiency Lambertian Optic (HLO)

The High-Efficiency Lambertian Optic (HLO) uses matte white reflectors to distribute LED output across 0.075" acrylic shielding, providing up to 88% transmission and good obscuration.

Available as a flush lens or as a drop lens, the HLO has a spacing criterion of 1.06.

Asymmetric Refractive Optic (ARO2)

The Asymmetric Refractive Optic (ARO2) uses a sophisticated reflector combined with a matte beam-shaping film to create a smooth, effective downward light component without shadows or hot spots. It provides directional Gaussian light distribution with peak intensity at 20° above nadir and a 55° Full Width at Half Maximum (FWHM) beam angle. Microstructure material applied to the snap-in lens provides the precise refractive power and visual comfort, while achieving a high luminous efficacy.

Wall Wash Refractive Optic (WRO2)

The Wall Wash Refractive Optic (WRO2) delivers smooth vertical illumination with a gentle gradient and soft visual cut-off. Its exacting configuration creates a strong downward light component without shadows or hot spots and provides light distribution with peak intensity at 21° above nadir. Microstructure material applied to the snap-in lens provides the precise refractive power and visual comfort, while achieving a high luminous efficacy.

Widespread Direct Optic (WDO)

The Widespread Direct Optic (WDO) is designed to distribute light far and wide. As such, it has an excellent luminous efficacy, a light span that is 40% farther than that of our traditional HLO, and it maximizes spacing distance while still creating a sense of uniformity. The lens snaps into place and utilizes nano prismatic optics to mask the diodes that are actually emitting the light.

Low-Glare Optic (LGO)

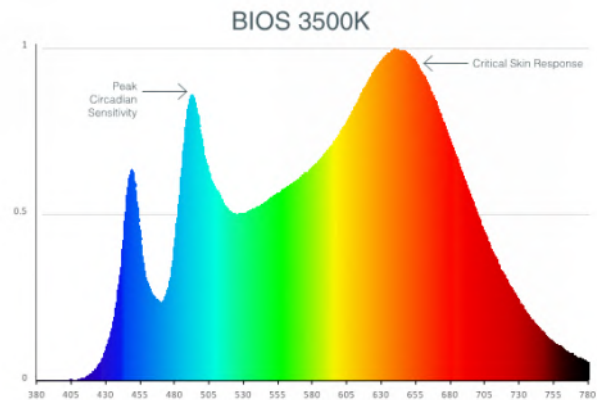
The Low-Glare Optic (LGO) is designed to cut off high-angled light and control glare. The carefully crafted lens refracts light downward through its center from which it then disperses into a wide conical distribution that negates any illumination at about 40°. The LGO provides the visual comfort of a louver in a smooth acrylic lens.

LIGHT SOURCE - STATIC WHITE

Custom linear array of mid-flux LEDs are cartridge-mounted with quick-connect wiring to facilitate service and thermal management. Available in 2700K, 3000K, 3500K, 4000K, and 5000K with a minimum 80 CRI and an option for 90 CRI with elevated R9 value. Color consistency maintained to within 3 SDCM. LEDs operate at reduced drive current to optimize efficacy and lumen maintenance. All LEDs have been tested in accordance with IESNA LM-80-08 and the results have shown L80 lumen maintenance greater than 60,000 hours. Absolute product photometry is measured and presented in accordance with IESNA LM-79, unless otherwise indicated.

LIGHT SOURCE - BIOS

BIOS SkyBlue™ Technology is designed to provide the specific circadian stimulus to improve overall sleep quality, recovery during the night, and overall feelings of well-being. The non-visual light signals that stimulate our circadian system have peak intensity in the "sky blue" region. As the diagram below illustrates, BIOS SkyBlue technology shifts the peak LED spectral intensity (490 nm) to align better with the peak response of circadian stimulus. Also note the enhanced deep-red (near 660 nm) spectrum.



Three BIOS solutions are offered: BIOS Biological Static (BIOSST), BIOS Biological Dynamic (BIOSDY), and BIOS Biological Tunable (BIOSTU). See page 5 for details.

LUMINAIRE LENGTH

Via 2 is available in standard lengths of 2' to 12'. Continuous runs are available for run lengths over 12'. Exact run length must be noted in the product code. The minimum length is 2', and can be ordered in 1' and/or 1" increments. All individual sections are joined together onsite using the joiner kits provided. Lumenwerx offers joiner kits that are extremely simple to work with in the field and result in a fixture that appears virtually seamless with no light leak at any connection.

ELECTRICAL

Factory-set, adjustable output current LED driver with universal (120-277VAC) input. Dimmable from 100% to 1% with 0-10V dimming control. Rated life (90% survivorship) of 50,000 hours at 50°C max. ambient (and 70°C max. case) temperature. At maximum driver load: Efficiency > 84%, PF > 0.9, THD < 20%. Other specifiable options include Lutron Hi-Lume 1% Eco, eldoLED 1% ECOdrive 0-10V, eldoLED 0.1% SOLOdrive 0-10V, ELV, TRIAC, and DALI protocol drivers. All of our standard 0-10V drivers are NEMA 410 compliant.

PoE

Depending on the PoE manufacturer selected, Lumenwerx will install the node in factory as either integral to the luminaire or as a remote module. Factory programming of the PoE node may or may not enable the following functionalities: lumen package, Duo (tunable white), Quadro (RGBW) emergency battery backup, and sensor integration. These must be addressed and evaluated on a case-by-case basis.

ELECTRICAL SECTION OPTIONS

Electrical section options are available for fixtures specified as multi circuit (#MC). With MC, specify the total number of circuits (#), including any circuits required for optional electrical sections. A drawing is required to specify the layout. Please consult factory for custom configurations.

Electrical sections

Options include emergency-powered (#EC##), night light (#NL##), daylight (#DL##), and generator transfer device (#GTD##) sections. Specify the quantity (#), as well as the section length in inches (##).

Example 1: A 32' Direct fixture with two 8' emergency-powered sections on a second circuit.

Code: 2MC-2EC96

Example 2: A 24' Direct fixture with one 4' generator transfer device section.

Code: 1MC-1GTD48

Battery

Each emergency battery (#EMB) powers a 4' section. All batteries will be on the same circuit. Specify the number of batteries (#) required.

Factory installed long life, high temperature, maintenance-free Lithium-Ion battery pack with self-test functionality, test switch and charge indicator. Minimum of 90 minutes operation, up to 1000 lumens per 4' (25°C) emergency lighting output and recharge time of 24 hours.

MOUNTING OPTIONS

Fixtures can be mounted directly to T-Bar, drywall and hard surface ceilings, hardware supplied by others. Long runs require a minimum distance of 6" from the vertical wall.

FINISH

Interior - 95%, reflective matte powder coated white paint

Exterior - Matte white, matte black, or aluminum powder coating. Custom finishes are also available.

CONTROLS

Lumenwerx offers several options for integrating occupancy and daylight harvesting controls in our luminaires.

For latest information on sensors, click [here](#).



STANDALONE CONTROLS

An integrated standalone sensor controls the luminaire in which it is installed. Depending on the length, more than one sensor may be necessary and may control the entire luminaire, or just a section of it. These controls operate independently. Unless otherwise agreed, sensor location, blank size, and functionality of the sensor within the luminaire are selected by Lumenwerx. See client drawings for details.

Three types are available:

OMS: An integral Passive InfraRed (PIR) sensor turns luminaires on and off automatically with field-adjustable time out period. No wall control is used. Coverage pattern for large motion has a 12' diameter with the sensor mounted 8' above the floor; for small motion, the pattern has an 8' diameter. Typically, one sensor is required for every 10' of a continuous luminaire run.

ODS: An integral, daylight harvesting sensor with closed-loop operation dims the luminaire in which it is installed in order to compensate for available daylight. The sensor measures the combination of daylight and luminaire light reflected from horizontal surfaces below the luminaire. Initial onsite calibration is required via the use of provided remote control.

OCS: Both an occupancy and a daylight sensor are installed in the luminaire.

CONNECTED CONTROLS

With connected controls, sensors or nodes installed in the luminaire form part of a larger control system infrastructure from manufacturers such as: Lutron, Enlighted, Encelium, Cooper Wavelinx, Acuity nLight, Casambi, Legrand, and others. These connected controls allow for a scalable system providing features like occupancy and daylight control, manual control, scheduling and configuration of various zones and scenes. Energy reporting and system monitoring are also possible. Specific capabilities depend on the control system being used.

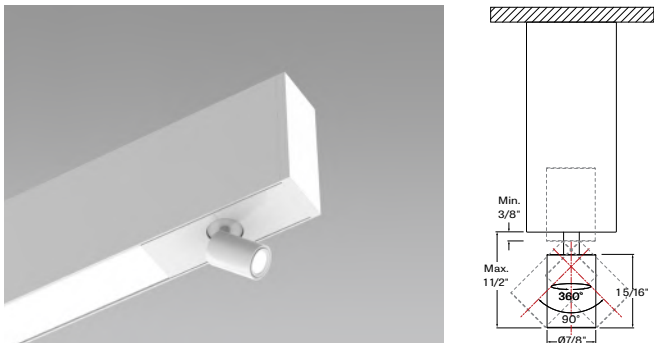
Lumenwerx installs the components (sensors, nodes, power packs, etc) which may be supplied to us by a third party, or procured directly by Lumenwerx, depending on the control system manufacturer.

Lumenwerx is solely responsible for the installation of specified components; the controls manufacturer is responsible for performance of the control system.

To indicate a Lumenwerx luminaire with connected controls, identify the specific onsite control system to be integrated into the luminaires using the ordering code. Due to the diversity of components, you must contact factory to assure complete compatibility with intended control system and to fully specify the luminaire.

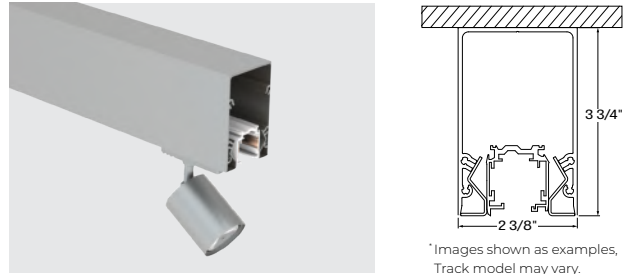
Complete control specifications, sensor/node/power pack layout, and narrative for the control system are required for Lumenwerx to create shop drawings and submittals.

MICRO SPOT (MS)



The Micro Spot is a $\varnothing 7/8$ " x $1 5/16$ " adjustable spotlight that extends, retracts, rotates 360°, and tilts 90°. Its LED light source is coupled with a TIR refractor to provide beam angles of 25°, 35°, and 50°, while producing up to 400 lumens. LED light source CCT options are 2700K, 3000K, 3500K, 4000K, and 5000K, available in either 80 CRI or 90 CRI. The Micro Spot is offered in a white or black finish. The Micro Spot driver is mounted within the luminaire housing and accepts universal input voltage (120-277VAC) with 0-10 V dimming control.

INTEGRATED TRACK (ITR)



Multiple track systems manufactured by others, are offered in Via 2, in individual, or runs, with or without LED integrated sections. Detailed specifications of the track system must be supplied. For other mounting options please consult factory.

CONSTRUCTION

- Housing** - Extruded aluminum, up to 90% recycled content
- Interior brackets** - Die-formed cold rolled sheet steel
- Joining system** - Die-cast zinc
- Reflectors** - Die-formed cold rolled steel, 95% reflective matte white painted
- Lens** - Acrylic
- Drop lens** - Extruded with glued end caps
- End caps** - Die-cast aluminum

WEIGHT

- 4ft** - 9.03 lbs - 4.1 kg
- 8ft** - 18.28 lbs - 8.3 kg
- 12ft** - 27.97 lbs - 12.7 kg

CERTIFICATION

ETL - Rated for Indoor dry/damp locations. Conforms to UL Standard 1598 and certified to CAN/CSA Standard C22.2 No. 250.0

WARRANTY

Lumenwerx provides a five-year limited warranty on electrical and mechanical performance of the luminaires, including the LED boards, drivers, and auxiliary electronics. Lumenwerx will repair or replace defective luminaires or components at our discretion, provided they have been installed and operated in accordance with our specifications. Other limitations apply, please refer to the full warranty on our website.